

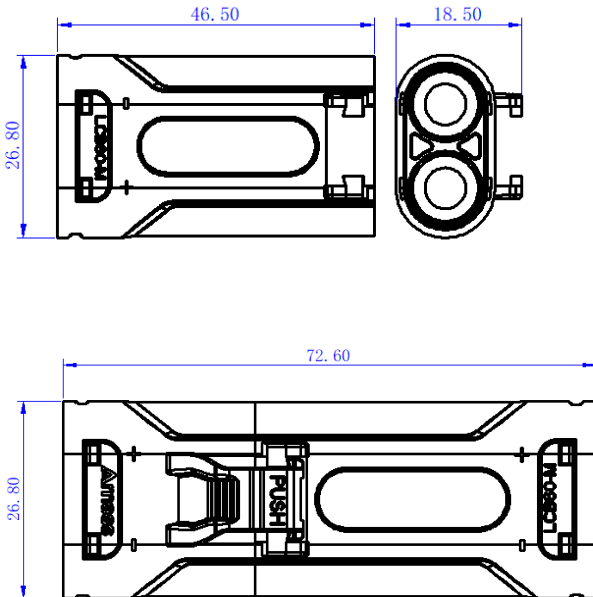
1. Product Model : LCB60-M

P/N	Part Description	Sketch
97002-M.R	LCB60-M Plastic Housing Assembly, Red, Rear Cover , Orange	
97002-M.B	LCB60-M Plastic Housing Assembly, Black Rear Cover , Orange	
97002-M.O	LCB60-M Plastic Housing Assembly , Orange, Rear Cover , Orange	
99029-M.S	LC60-M Copper Terminal Assembly	

2. Product Application Description

As a model of wire-harness to 90° soldered PCB joint connector in LC60 connector series, LCB60 apply in the field which require quite smaller space for connection between Li-battery、controller and motor mainly.

3. Product stacking diagram



4. Technical Parameters

Electric Characteristic	
Current Rating	65A MAX(6AWG 0.08mm/16.0mm ² 0.31mm ^Δ ≤30K)
	55A MAX(8AWG 0.08mm/10.0mm ² 0.41mm ^Δ ≤30K)
	80A MAX(6AWG 0.08mm/16.0mm ² 0.31mm ^Δ ≤40K)
	65A MAX(8AWG 0.08mm/10.0mm ² 0.41mm ^Δ ≤40K)
	90A MAX(6AWG 0.08mm/16.0mm ² 0.31mm ^Δ ≤55K)
	70A MAX(8AWG 0.08mm/10.0mm ² 0.41mm ^Δ ≤55K)
Voltage	1000V DC
	Insulation Resistance
Contact Resistance	≤0.6mΩ
Mechanical Characteristic	
Plug Life	100 次
FG Insertion Force	≤9.0kgf
FG Extraction Force	≥14kgf
Terminal Pushing Out Froce	≥16kgf
Salt Spray	Main brass parts 48h , Jaws 24h
Environment Characteristic	
Work Temperature	-40°C to 120°C
Materials Flame Level	UL94 V-0 (Minimum Thickness 0.8mm)
Hot Wire Level	GWFI 850°C (Minimum Thickness 0.8mm)
Environmental	RoHS2.0
Material	
Outside Housing	PBT GF30, Color: Red\Black\Orange
Main Terminal	Copper--T2, Plating: Sliver
Usage	
Joint Method	Rivet Joint
Joint Reference	Refer to <Six Side Riveting Process for LC series>

5. Transport and storage

- Product should be store in the clean and dry enviroment, far away from acid、alkali and the other corrosive gases.
- Storage enviroment: Temperature -10°C~40°C , Relative Humidity : ≤80%
- Product have to far away from light source (silver plating part), sealed packaging to store. Mustn't exposure to air for a long time or touch with sulfides, No bare hands touching.
- Apply to normal transport, should be avoiding collision、violent vibration、raining and snowing onto product、flooding ect.



During connector using, do not exceed the rated current and voltage

Prepared By :



Please confirm the environment

Auditor :



Use carefully

Quality Checker :



Do not use when external force is applied to the connector

Approver :